



SANITARY SAFETY RELIEF VALVES

PHARMA QUALITY AND RELIABILITY - DELIVERED ON TIME

STERIFLOWVALVE.COM

SANITARY SAFETY RELIEF VALVES

National Board Certified to ASME VIII/XIII

The SSRV Sanitary Safety Relief Valve is designed to relieve over-pressure upset in hygienic and aseptic process and clean utility systems. The SSRV is designed to be manually set to open at a predetermined pressure to protect pressure vessels and other equipment from being subjected to pressures that exceed their design limits.

FEATURES

- » National Board certified to ASME VIII/XIII
- » High cleanability: L/D < 1.5
- » Standard surface finish ASME BPE SF1, 20 Ra µin (0,5 Ra µm) is standard. ASME BPE SF5 and SF4 15 Ra µin (0,4 Ra µm) optional. Electropolished optional
- » FDA and USP Class VI seats, o-rings and bellows seal
- » Bellows seal isolates process from valve internals when valve is open or closed on 83, 83X and 88 Series
- » ASME BPE Tri-Clamp and Tube weld end connections are standard. NPT connections available on SSRV-81 Series.
- » ASME SA479 316L, AL6XN, Hastelloy C-276 are standard.
- » Steriflow Premium Cleaning Available - consult factory for details

DOCUMENTATION

The following documentation is kept in an electronic database and included with each order at no charge

- » Steriflow Unicert; Certificate of Compliance for:
 - Material, including MTR's
 - Surface Finish
 - FDA/USP Class VI
- » Each Unicert document lists the orders individual valve Serial/ Suffix numbers and wetted component Heat numbers. MTR's for each Heat number follow on attached pages. The Serial numbers and Heat numbers are directly traceable to each individual valve.

SSRV-81 SERIES



SSRV-83, 83X SERIES



SSRV-88 SERIES



APPLICATIONS

- » Bioreactor - Fermenter vessel and vessel jackets
- » Formulation and other Pharma process vessels
- » Clean Air / Gas distribution systems for point of use distribution
- » Clean steam systems
- » WFI and USP PW vessels
- » Any hygienic or aseptic process vessel or system

ASME Section VIII/XIII compliant Sanitary Safety Relief Valves created and designed in the US

SSRV-81 SPECIFICATIONS

Available Connection Size and Type

- » Inlet:
 - 1/2" - 1" MNPT, FNPT
 - 1/2" - 1" ASME BPE Tri-clamp
- » Outlet:
 - 1/2" - 1" FNPT
 - 1/2" - 1" ASME BPE Tri-clamp

Body and Wetted Trim Materials

- » Standard
 - ASME SA479 316L (UNS 31603), AL6XN®, Hastelloy®C-22
- » Optional: other materials avail" ASME BPE Tri-clamp

Wetted Seat and O-Ring Material

- » Vulcanized Soft Seat:
 - EPDM, rated to 300°F
 - Viton, rated to 400°F
- » O-Ring Soft Seat:
 - EPDM, rated to 300°F
 - Kalrez® FFKM rated to 450°F
 - Buna rated to 230°F
 - Viton, rated to 400°F
- » FDA and USP Class VI compliant elastomers:
 - EPDM, rated to 300°F
 - Kalrez® FFKM rated to 450°F
- » FDA compliant elastomers:
 - Buna rated to 230°F

Body Pressure/Temperature Rating:

- » 550 psi @ 450°F

Note: Premium cleaning is available - consult factory for details

AVAILABLE SET POINT RANGE

SSRV-81V SERIES	SSRV-81 SERIES
13 – 20 psi*	232 – 377 psi
20 – 26 psi	377 – 500 psi
26 – 45 psi	
45 – 64 psi	
64 – 102 psi	
102 – 145 psi	
145 -232 psi	

* Contact Factory for valves with set points below 15 psi

MODEL & SEAT TYPE

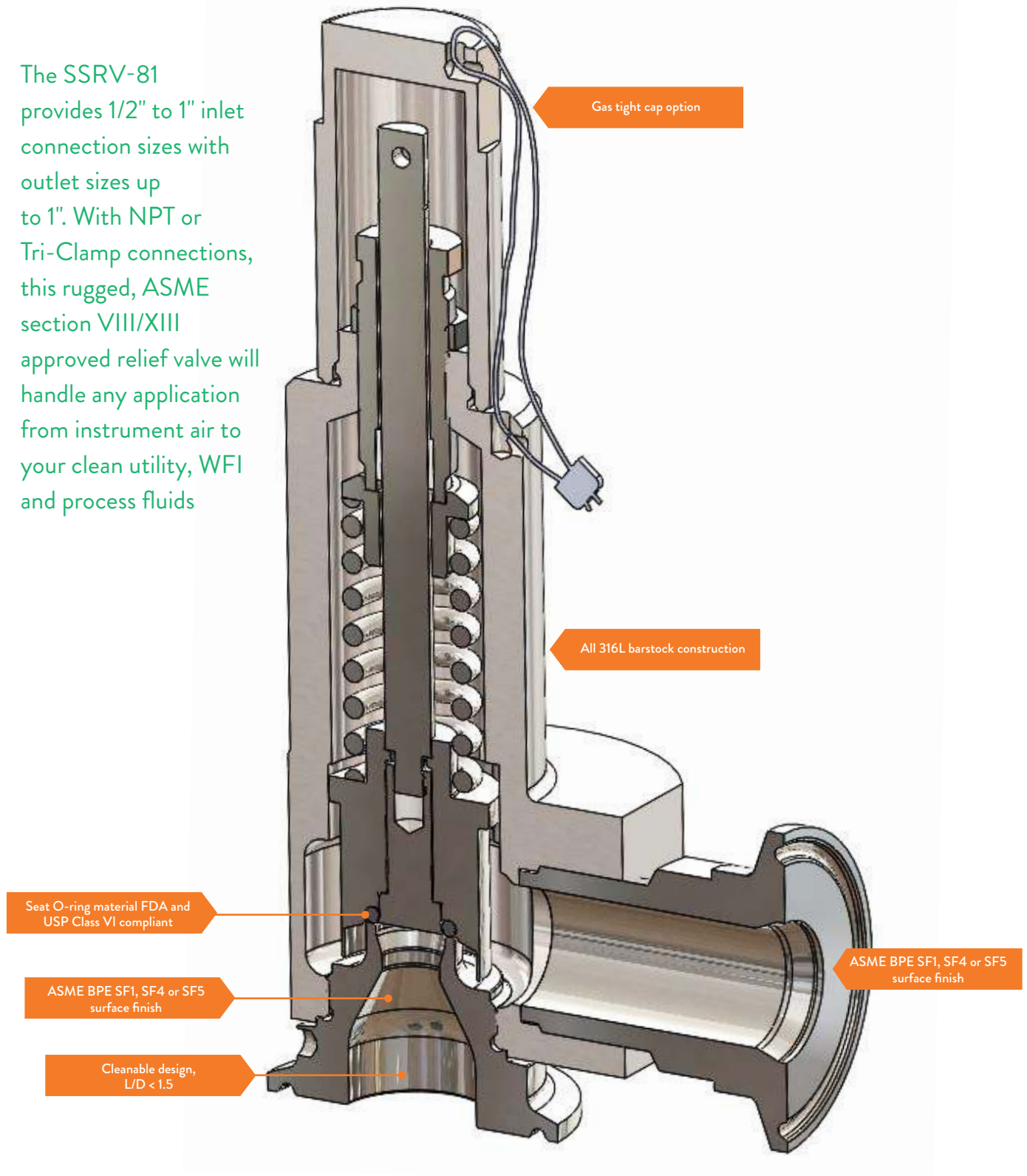
Elastomer O-Ring seat (set pressures 232-500 psi); Orifice (0.394in)
--

UNITED STATES	FLOW FACTOR	
ASME SEC. VIII/XIII	APPROVAL NO.	M02158
	S/G	Rated slope acc. to ASME VIII/XIII, Div. 1 UG-131 (d) (2) S: 4.41 pph / psid G: 1.57 SCFM / psia
	APPROVAL NO.	M02169
	L	Rated slope acc. to ASME VIII/XIII, Div. 1 UG-131 (d) (2) L: 2.21 GPM / $\sqrt{\text{psid}}$

SSRV-81 TYPICAL FEATURES

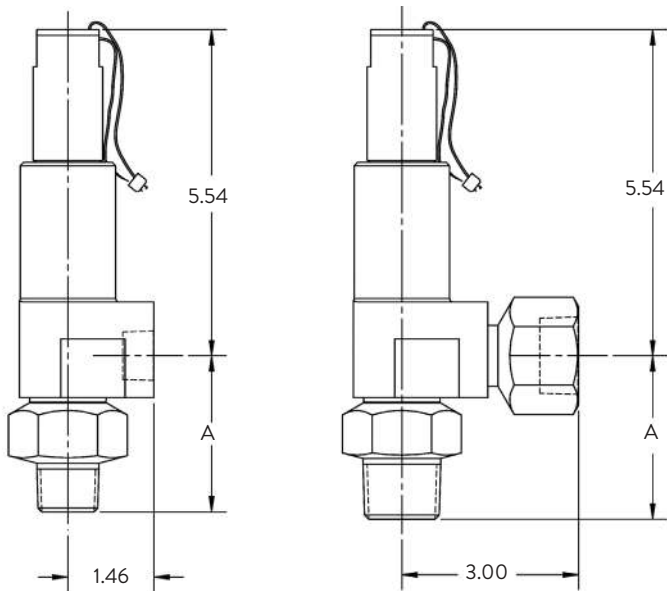


The SSRV-81 provides 1/2" to 1" inlet connection sizes with outlet sizes up to 1". With NPT or Tri-Clamp connections, this rugged, ASME section VIII/XIII approved relief valve will handle any application from instrument air to your clean utility, WFI and process fluids



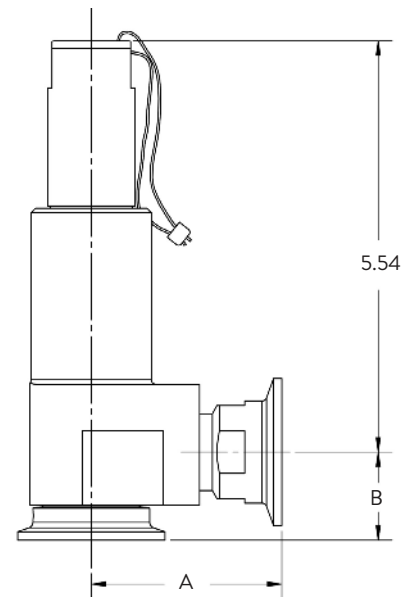
DIMENSIONS SSRV-81, SSRV-81V

SSRV-81, WITH H2 GAS-TIGHT CAP & MNPT INLETS



MNPT adapters available, consult factory

SSRV-81, WITH H2 GAS-TIGHT CAP & TRI-C END CONNECTIONS



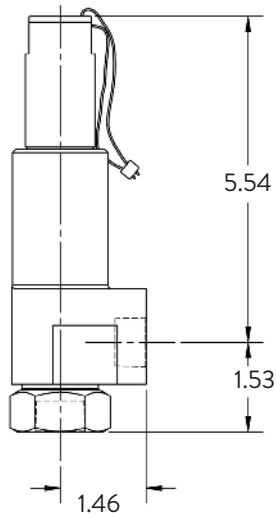
END CONNECTION SIZE	INCHES
INLET X OUTLET	A
1/2" MNPT X 1/2" FNPT	2.65
1/2" MNPT X 3/4" FNPT	2.65
3/4" MNPT X 3/4" FNPT	2.65
3/4" MNPT X 1" FNPT	2.65
1" MNPT X 1" FNPT	2.78

END CONNECTION SIZE	INCHES	
INLET X OUTLET	A	B
1/2" TC X 1/2" TC	2.75	1.58
1/2" TC X 3/4" TC	2.75	1.58
3/4" TC X 3/4" TC	2.75	1.58
3/4" TC X 1" TC	2.57	1.58
1" TC X 1" TC	2.57	1.19

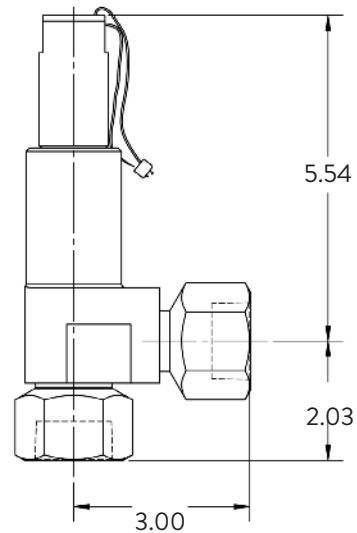
DIMENSIONS SSRV-81, SSRV-81V

SSRV-81, WITH H2 GAS-TIGHT CAP & FNPT INLETS

1/2", & 3/4" OUTLET

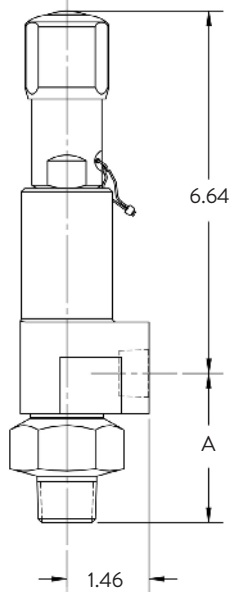


1" OUTLET

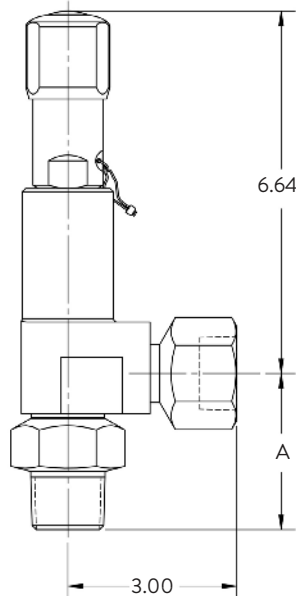


SSRV-81, WITH H4 GAS-TIGHT LIFTING KNOB & MNPT INLETS

1/2", & 3/4" OUTLET



1" OUTLET

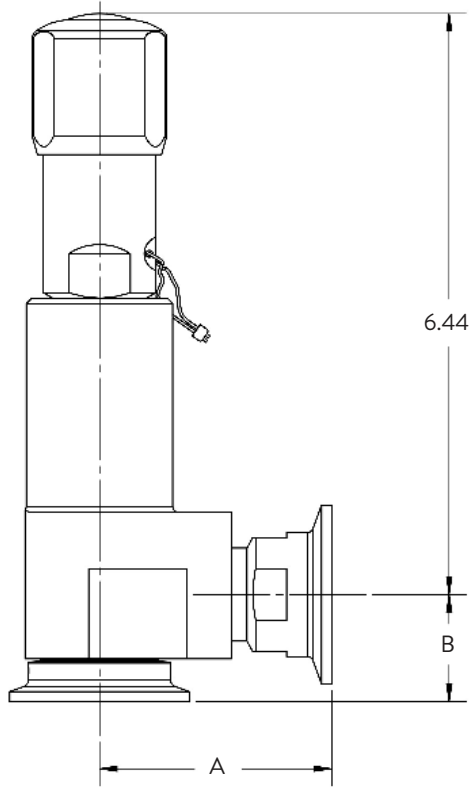


END CONNECTION SIZE	INCHES
INLET X OUTLET	A
1/2" MNPT X 1/2" FNPT	2.65
1/2" MNPT X 3/4" FNPT	2.65
3/4" MNPT X 3/4" FNPT	2.65
3/4" MNPT X 1" FNPT	2.65
1" MNPT X 1" FNPT	2.78

MNPT adapters available, consult factory

DIMENSIONS SSRV-81, SSRV-81V

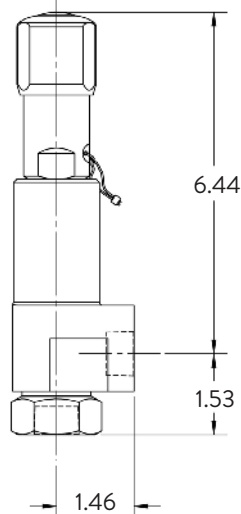
SSRV-81, WITH H4 GAS-TIGHT LIFTING KNOB & TRI-C END CONNECTIONS



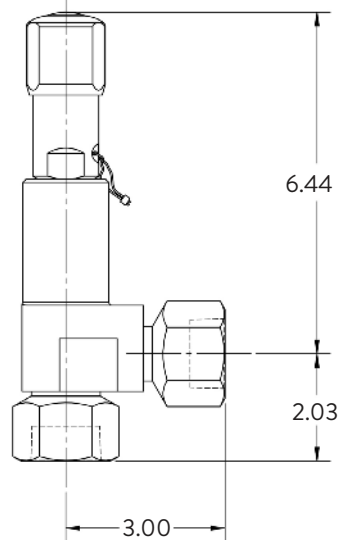
END CONNECTION SIZE	INCHES	
INLET X OUTLET	A	B
1/2" TC X 1/2" TC	2.75	1.58
1/2" TC X 3/4" TC	2.75	1.58
3/4" TC X 3/4" TC	2.75	1.58
3/4" TC X 1" TC	2.57	1.58
1" TC X 1" TC	2.57	1.19

SSRV-81, WITH H4 GAS-TIGHT LIFTING KNOB & FNPT INLETS

1/2", & 3/4" OUTLET



1" OUTLET



SSRV-83X SPECIFICATIONS

Available Connection Size and Type

- » Inlet:
 - 1" ASME BPE Tri-clamp
- » Outlet:
 - 1 -1/2" ASME BPE Tri-Clamp

Body and Wetted Trim Materials

- » Standard
 - ASME SA479 316L (UNS 31603), AL6XN®, Hastelloy®C-22

Wetted O-Ring Material

- » Elastomers are all FDA and USP Class VI compliant:
 - EPDM, rated to -49°F to 302°F
 - Viton, rated to 400°F
 - Kalrez® FFKM rated to 32°F to 450°F

Bellows Process Seal Material

- » Elastomers are all FDA and USP Class VI complaint
 - EPDM rated to -49°F to 302°F
 - Viton, rated to 400°F

Body Pressure/Temperature Rating:

- » 255 psi @ 450°F steam*/gas/liquid

* Steam only allowed up to 90 psi

Note: Premium cleaning is available - consult factory for details

AVAILABLE SET POINT RANGE	
SSRV-83X SERIES	
	12 – 18 psi*
	18 – 26 psi
	26 – 36 psi
	36 – 47 psi
	47 – 65 psi
	65 – 96 psi
	96 – 142 psi
	142 – 232 psi

* Contact Factory for valves with set points below 15 psi

MODEL & SEAT TYPE
Orifice (0.512 in.)

UNITED STATES		FLOW FACTOR
ASME SEC. VIII/XIII	APPROVAL NO.	M02170
	S/G	Rated slope acc. to ASME VIII, Div. 1 UG-131 (d) (2) S: 5.59 pph / psid G: 1.99 SCFM / psia
	APPROVAL NO.	M02181
	L	Rated slope acc. to ASME VIII, Div. 1 UG-131 (d) (2) L: 3.407 GPM / √psid

SSRV-83 SPECIFICATIONS

Available Connection Size and Type

- » Inlet:
 - 1-1/2" ASME BPE Tri-clamp
- » Outlet:
 - 2" ASME BPE Tri-clamp

Body and Wetted Trim Materials

- » Standard
 - ASME SA479 316L (UNS 31603), AL6XN®, Hastelloy®C-22

Wetted O-Ring Material

- » Elastomers are all FDA and USP Class VI compliant:
 - EPDM, rated to -49°F to 302°F
 - Viton, rated to 400°F
 - Kalrez® FFKM rated to 32°F to 450°F

Bellows Process Seal Material

- » Elastomers are all FDA and USP Class VI complaint
 - EPDM rated to -49°F to 302°F
 - Viton, rated to 400°F

Body Pressure/Temperature Rating:

- » 255 psi @ 450°F steam*/gas/liquid

* Steam only allowed up to 90 psi

Note: Premium cleaning is available - consult factory for details

AVAILABLE SET POINT RANGE	
SSRV-83 SERIES	
	14 – 20 psi*
	20 – 28 psi
	28 – 37 psi
	37 – 49 psi
	49 – 70 psi
	70 – 102 psi
	102 – 144 psi
	185 – 232 psi

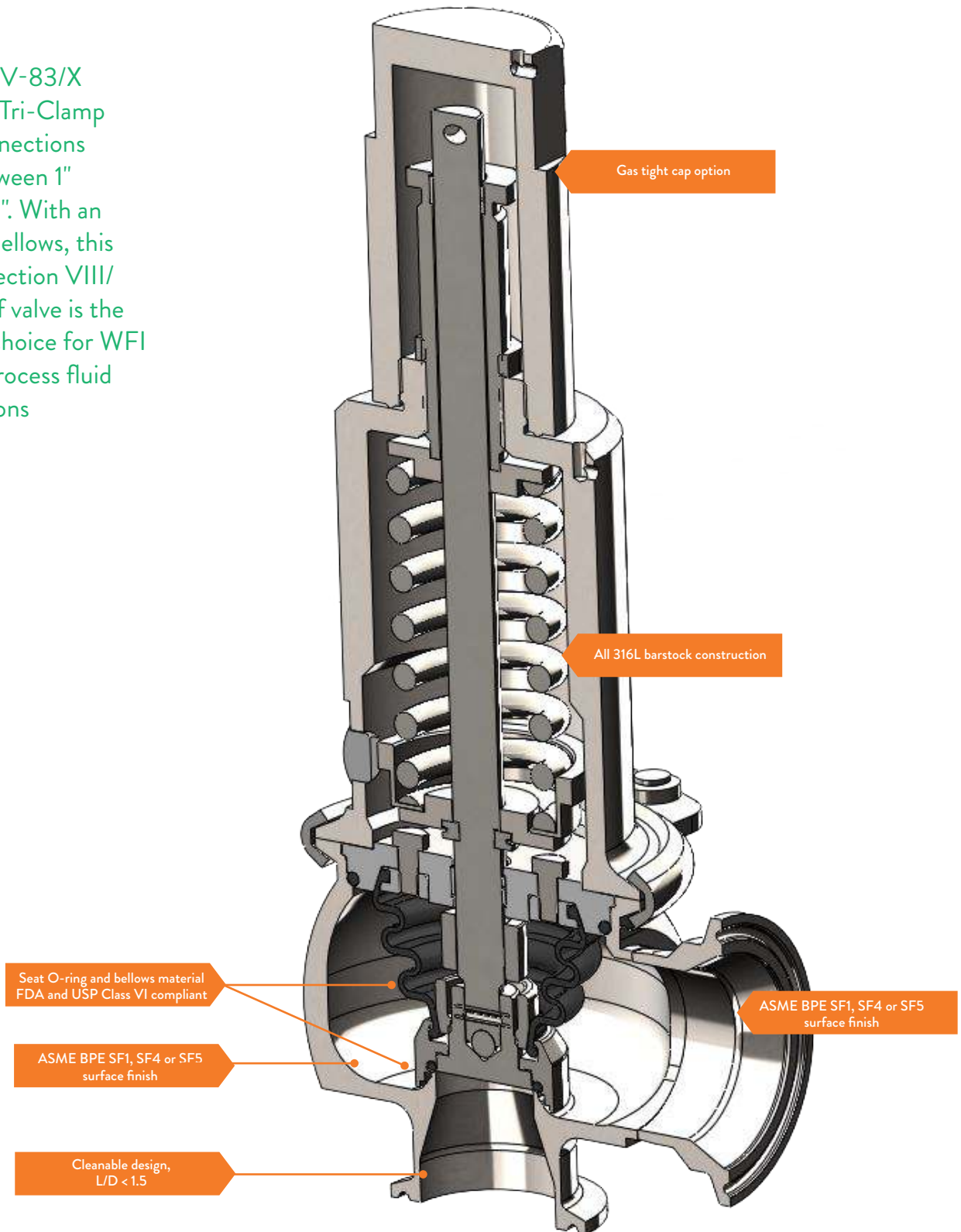
* Contact Factory for valves with set points below 15 psi

MODEL & SEAT TYPE
Orifice (0.984in)

UNITED STATES	FLOW FACTOR	
ASME SEC. VIII/XIII	APPROVAL NO.	M02204
	S/G	Rated slope acc. to ASME VIII, Div. 1 UG-131 (d) (2) S: 15.99 pph / psid G: 5.69 SCFM / psid
	APPROVAL NO.	M02192
	L	Rated slope acc. to ASME VIII, Div. 1 UG-131 (d) (2) L: 8.15 GPM / √psid

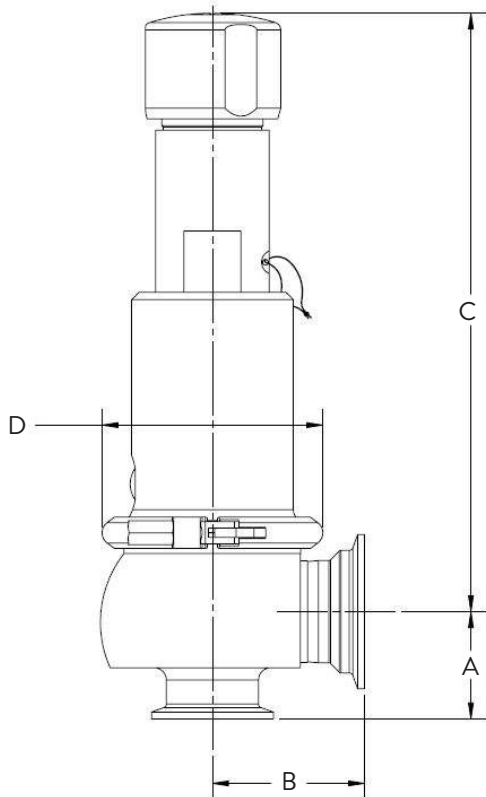
SSRV-83/X TYPICAL FEATURES

» The SSRV-83/X provides Tri-Clamp inlet connections sizes between 1" and 1-1/2". With an EPDM bellows, this ASME section VIII/ XIII relief valve is the perfect choice for WFI and bioprocess fluid applications

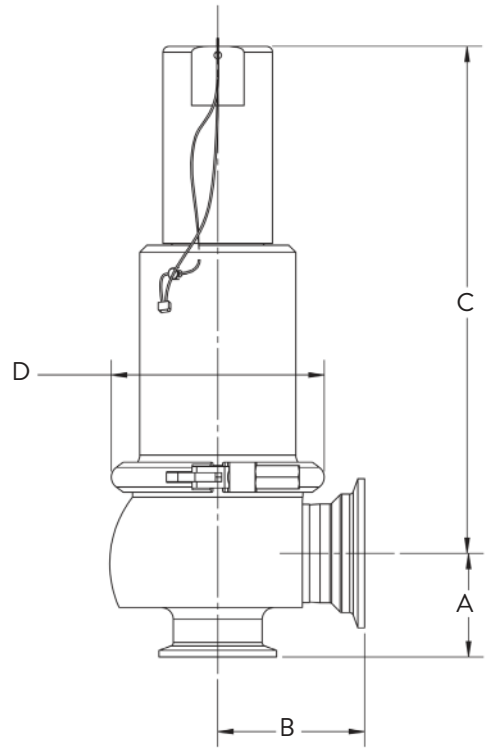


DIMENSIONS SSRV-83/83X

SSRV-83, 83X WITH H4 GAS-TIGHT LIFT KNOB



SSRV-83, 83X WITH H2 GAS-TIGHT CAP



MODEL	END CONNECTION	INCHES			
		A	B	C	D
83X	1" X 1-1/2"	1.14	2.04	6.22	2.88

MODEL	END CONNECTION	INCHES			
		A	B	C	D
83	1-1/2" X 2"	1.75	2.48	9.20	3.60

SSRV-88 SPECIFICATIONS

Available Connection Size and Type:

	INLET	OUTLET
88-1	1 1/2" ASME BPE Tri-Clamp	2" ASME BPE Tri-Clamp
88-2	2" ASME BPE Tri-Clamp	3" ASME BPE Tri-Clamp
88-3	2" ASME BPE Tri-Clamp	3" ASME BPE Tri-Clamp

Body and Wetted Trim Materials

- » Standard
 - ASME SA479 316L (UNS 31603), AL6XN®, Hastelloy®C-22

Wetted O-Ring Material

- » Elastomers are all FDA and USP Class VI compliant:
 - EPDM, rated to -49°F to 302°F
 - Kalrez® FFKM rated to 32°F to 450°F

Bellows Process Seal Material

- » Elastomers are all FDA and USP Class VI complaint
 - EPDM rated to -49°F to 302°F

Body Pressure/Temperature Rating:

- » 255 psi @ 450°F steam*/gas/liquid

* Steam only allowed up to 90 psi

Note: Premium cleaning is available - consult factory for details

UNITED STATES	COEFFICIENT OF DISCHARGE	
ASME SEC. VIII/XIII	APPROVAL NO.	M01449
	L	Coefficient of Discharge, KD tested at National Board Laboratories L: 0.546

AVAILABLE SET POINT RANGE

88-1	88-2	88-3
11-15*	12-17*	14-20*
15-20	17-22	20-28
20-26	22-32	28-39
26-33	32-38	39-53
33-51	38-49	53-77
51-73	49-78	77-114
73-123	78-123	114-150
123-181	123-181	150-232
181-232	181-232	

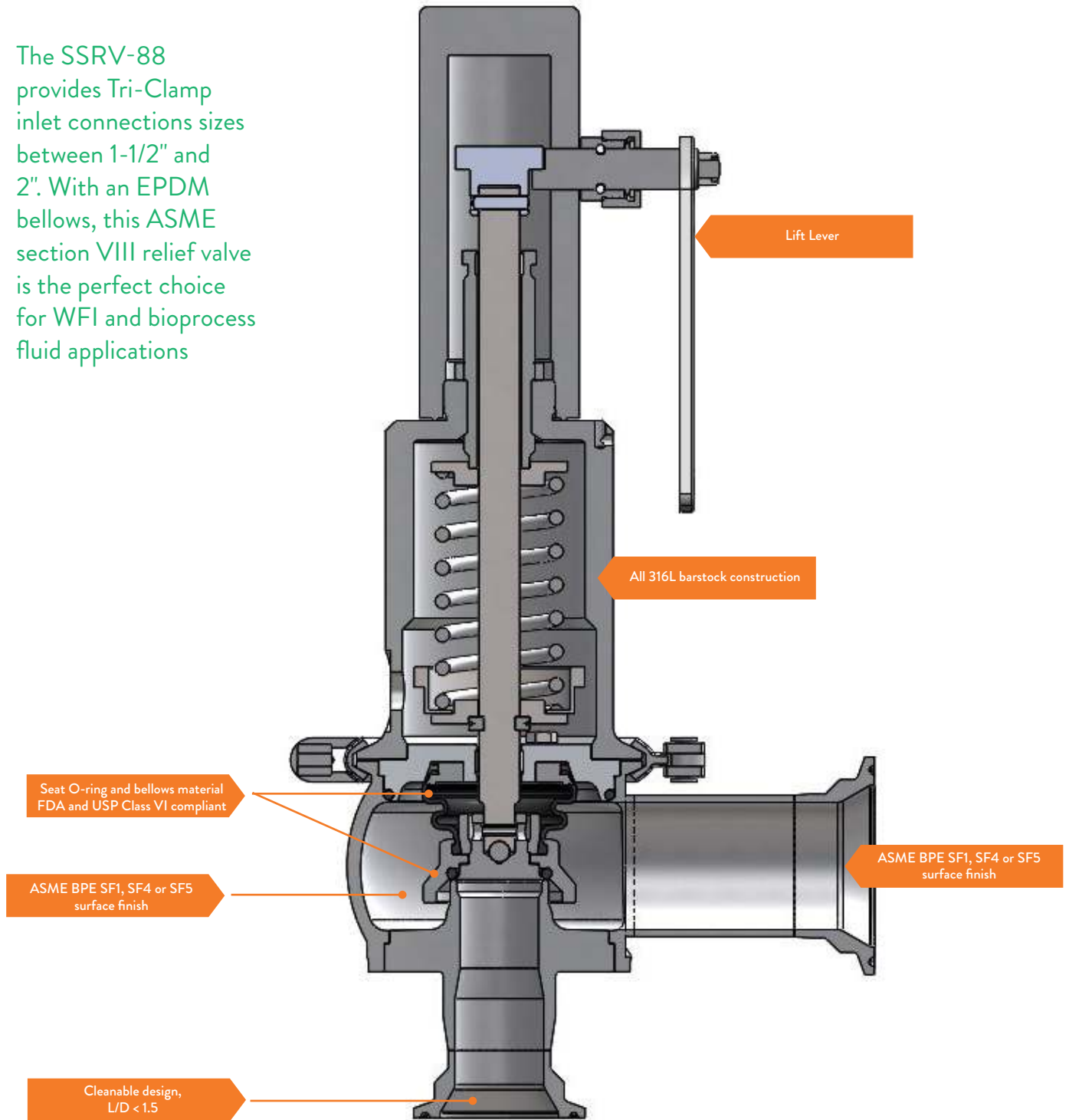
* Contact Factory for valves with set points below 15 psi

MODEL & SEAT TYPE

	MODEL & SEAT TYPE
88-1	Orifice (0.906 in)
88-2	Orifice (1.457 in)
88-3	Orifice (1.811 in)

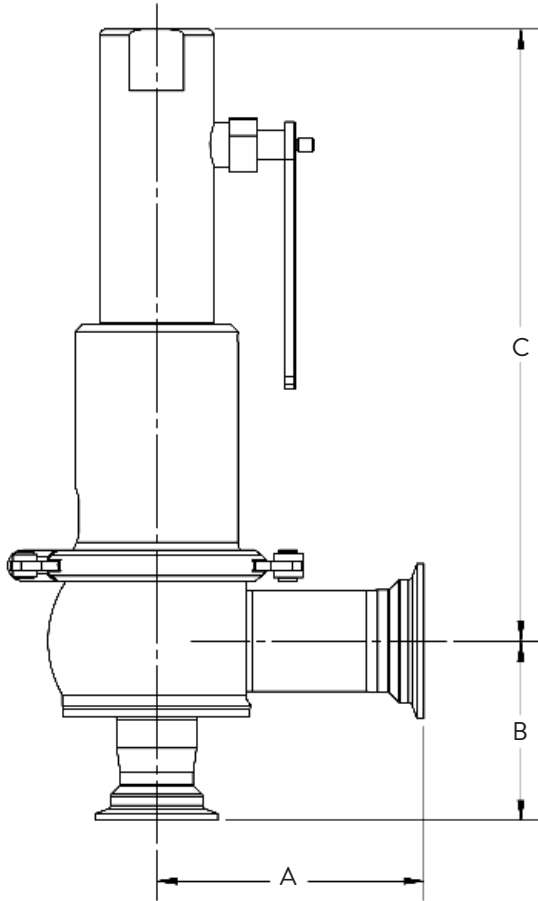
SSRV-88 TYPICAL FEATURES

» The SSRV-88 provides Tri-Clamp inlet connections sizes between 1-1/2" and 2". With an EPDM bellows, this ASME section VIII relief valve is the perfect choice for WFI and bioprocess fluid applications

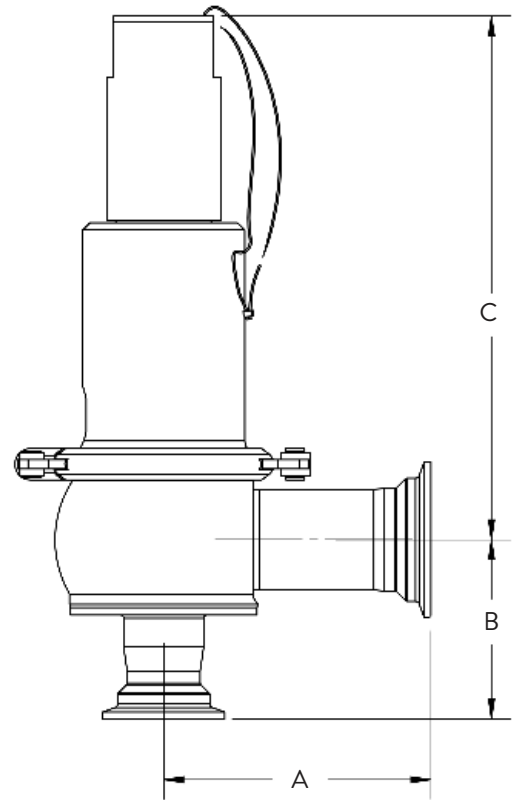


DIMENSIONS SSRV-88

SSRV-88 WITH H4 GAS-TIGHT LIFT LEVER



SSRV-88 WITH H2 GAS-TIGHT CAP



MODEL	END CONNECTION	INCHES		
		A	B	C
88-1	1.5" TC X 2" TC	4.34	2.91	9.94
88-2	2" TC X 3" TC	5.63	3.60	16.55
88-3	2" TC X 3" TC	5.89	4.10	16.83

MODEL	END CONNECTION	INCHES		
		A	B	C
88-1	1.5" TC X 2" TC	4.34	2.91	9.94
88-2	2" TC X 3" TC	5.63	3.60	16.55
88-3	2" TC X 3" TC	5.89	4.10	16.83

ORDERING SCHEMATIC - SSRV-81

MODEL	MODEL ORIFICE	BODY, PLUG WETTED MATERIAL
XXX	X	X

MODEL & SEAT TYPE	
81	Elastomer O-Ring seat (set pressures 232-500 psi); Orifice (0.394in)

BODY & WETTED COMPONENT MATERIAL	
6L	ASME SA479 316L (UNS 31603)
6	Hastelloy

1&2	END CONNECTIONS/FINISH	
	Size (Inlet x Outlet)	Finish
A	1" BPE TRI-C x 1" BPE T/C	A 20Ra IN / 40Ra OUT Mech. Polish
B	3/4" BPE TRI-C x 1" BPE T/C	B 20Ra IN / 20Ra OUT Mech. Polish
C	3/4" BPE TRI-C x 3/4" BPE T/C	C 20Ra IN / 40Ra OUT Electropolish
D	1/2" BPE TRI-C x 3/4" BPE T/C	D 20Ra IN / 20Ra OUT Electropolish
E	1/2" BPE TRI-C x 1/2" BPE T/C	E 15Ra IN / 40Ra OUT Electropolish
F	1" FNPT x 1" FNPT	F 15Ra IN / 20Ra OUT Electropolish
G	3/4" FNPT x 1" FNPT	G 32Ra IN / 40Ra OUT Mech. Polish
H	3/4" FNPT x 3/4" FNPT	
J	1/2" FNPT x 3/4" FNPT	
K	1/2" FNPT x 1/2" FNPT	
L	1" MNPT x 1" FNPT	
M	3/4" MNPT x 1" FNPT	
N	3/4" MNPT x 3/4" FNPT	
P	1/2" MNPT x 3/4" FNPT	
Q	1/2" MNPT x 1/2" FNPT	
R	1" BPE TRI-C x 1" FNPT	
S	3/4" BPE TRI-C x 1" FNPT	
T	3/4" BPE TRI-C x 3/4" FNPT	
U	1/2" BPE TRI-C x 3/4" FNPT	
V	1/2" BPE TRI-C x 1/2" FNPT	

1&2	3&4	5&6	7&8	9&10	11&12
X	X	X	X	X	X

3&4	MODEL
81 Only (O-Ring)	
DD	EPDM O-Ring Seat (FDA, USP Class VI)
CC	Kalrez O-Ring Seat (FDA, USP Class VI)
BB	Buna O-Ring Seat (FDA, USP Class VI)
ZZ	Non-Standard

5&6	BONNET
H2	Gas Tight Cap
H4	Gas Tight Lifting Knob

7&8	SETPOINT	
Code	Range	Model
11	232-377	81-ORING
16	377-500	81-ORING

9&10	81 SSRV SETTING
GL	Gas/Liquid
ST	Steam

11&12	SPECIAL OPTIONS
SC	Steriflow Premium Cleaning

ORDERING SCHEMATIC - SSRV-81V

MODEL	MODEL ORIFICE	BODY, PLUG WETTED MATERIAL
XXX	X	X

MODEL & SEAT TYPE	
81V	Elastomer plug set (set pressures up to 232 psi); Orifice (0.394in)

BODY & WETTED COMPONENT MATERIAL	
6L	ASME SA479 316L (UNS 31603)
6	Hastelloy

1&2	END CONNECTIONS/FINISH	
	Size (Inlet x Outlet)	Finish
A	1" BPE TRI-C x 1" BPE T/C	A 20Ra IN / 40Ra OUT Mech. Polish
B	3/4" BPE TRI-C x 1" BPE T/C	B 20Ra IN / 20Ra OUT Mech. Polish
C	3/4" BPE TRI-C x 3/4" BPE T/C	C 20Ra IN / 40Ra OUT Electropolish
D	1/2" BPE TRI-C x 3/4" BPE T/C	D 20Ra IN / 20Ra OUT Electropolish
E	1/2" BPE TRI-C x 1/2" BPE T/C	E 15Ra IN / 40Ra OUT Electropolish
F	1" FNPT x 1" FNPT	F 15Ra IN / 20Ra OUT Electropolish
G	3/4" FNPT x 1" FNPT	G 32Ra IN / 40Ra OUT Mech. Polish
H	3/4" FNPT x 3/4" FNPT	
J	1/2" FNPT x 3/4" FNPT	
K	1/2" FNPT x 1/2" FNPT	
L	1" MNPT x 1" FNPT	
M	3/4" MNPT x 1" FNPT	
N	3/4" MNPT x 3/4" FNPT	
P	1/2" MNPT x 3/4" FNPT	
Q	1/2" MNPT x 1/2" FNPT	
R	1" BPE TRI-C x 1" FNPT	
S	3/4" BPE TRI-C x 1" FNPT	
T	3/4" BPE TRI-C x 3/4" FNPT	
U	1/2" BPE TRI-C x 3/4" FNPT	
V	1/2" BPE TRI-C x 1/2" FNPT	

1&2	3&4	5&6	7&8	9&10	11&12
X	X	X	X	X	X

3&4	MODEL
81V Only (Plug)	
DD	EPDM Elastomer Plug (FDA, USP Class VI)
BB	Buna Elastomer Plug (FDA, USP Class VI)

5&6	BONNET
H2	Gas Tight Cap
H4	Gas Tight Lifting Knob

7&8	SETPOINT	
Code	Range	Model
03	13-20*	81V
04	20-26	81V
05	26-45	81V
06	45-64	81V
07	64-102	81V
08	102-145	81V
09	145-232	81V

* Contact Factory for valves with set points below 15 psi

9&10	81V SSRV SETTING
GL	Gas/Liquid
ST	Steam

11&12	SPECIAL OPTIONS
SC	Steriflow Premium Cleaning

ORDERING SCHEMATIC - SSRV-83X

MODEL	MODEL ORIFICE	BODY, PLUG WETTED MATERIAL
XXX	X	X

MODEL & SEAT TYPE	
83X	Orifice (0.512 in.)

BODY & WETTED COMPONENT MATERIAL	
6L	ASME SA479 316L (UNS 31603)

1&2	END CONNECTIONS/FINISH	
	Size (Inlet x Outlet)	Finish
A	83X: 1" x 1-1/2" BPE	A 20Ra IN / 40Ra OUT Mech. Polish
		B 20Ra IN / 20Ra OUT Mech. Polish
		C 20Ra IN / 40Ra OUT Electropolish
		D 20Ra IN / 20Ra OUT Electropolish
		E 15Ra IN / 40Ra OUT Electropolish
		F 15Ra IN / 20Ra OUT Electropolish
		G 32Ra IN / 40Ra OUT Mech. Polish
ZZ	Non-Standard	

3&4	TRIM
DD	EPDM Bellows, EPDM O-rings (FDA, USP Class VI)
VV	Viton Bellows, Viton O-rings (FDA, USP Class VI)
ZZ	Non-Standard

1&2	3&4	5&6	7&8	9&10	11&12
X	X	X	X	X	X

5&6	BONNET
H2	Gas Tight Cap
H4	Gas Tight Lifting Knob

7&8	SETPOINT
83X Only	
Code	Range
04	12-18*
05	18-26
06	26-36
07	36-47
08	47-65
09	65-96
10	96-112
11	142-232

* Contact Factory for valves with set points below 15 psi

9&10	SSRV SETTING
GL	Gas & Liquids
ST	Steam

11&12	SPECIAL OPTIONS
SC	Steriflow Premium Cleaning

ORDERING SCHEMATIC - SSRV-83

MODEL	MODEL ORIFICE	BODY, PLUG WETTED MATERIAL
XXX	X	X

MODEL & SEAT TYPE	
83	Orifice (0.984 in.)

BODY & WETTED COMPONENT MATERIAL	
6L	316/316L

1&2	END CONNECTIONS/FINISH	
	Size (Inlet x Outlet)	Finish
C	83: 1-1/2" x 2" BPE	A 20Ra IN / 40Ra OUT Mech. Polish
		B 20Ra IN / 20Ra OUT Mech. Polish
		C 20Ra IN / 40Ra OUT Electropolish
		D 20Ra IN / 20Ra OUT Electropolish
		E 15Ra IN / 40Ra OUT Electropolish
		F 15Ra IN / 20Ra OUT Electropolish
		G 32Ra IN / 40Ra OUT Mech. Polish
ZZ	Non-Standard	

3&4	TRIM
DD	EPDM Bellows, EPDM O-rings (FDA, USP Class VI)
VV	Viton Bellows, Viton O-rings (FDA, USP Class VI)
ZZ	Non-Standard

1&2	3&4	5&6	7&8	9&10	11&12
X	X	X	X	X	X

5&6	BONNET
H2	Gas Tight Cap
H4	Gas Tight Lifting Knob

7&8	SETPOINT
83 Only	
Code	Range
42	20-28
43	28-37
44	37-49
45	49-70
46	70-102
47	102-144
48	144-185
49	185-232

9&10	SSRV SETTING
AL	Air/Gas 14-20 PSI
AG	Air/Gas 21-232 PSI
LL	Liquid 15-169 PSI
LH	Liquid 170-232 PSI
SL	Steam 14-20 PSI
ST	Steam 21-232 PSI

11&12	SPECIAL OPTIONS
SC	Steriflow Premium Cleaning

ORDERING SCHEMATIC - SSRV-88

MODEL	MODEL ORIFICE	BODY, PLUG WETTED MATERIAL
XXX	X	X

MODEL & SEAT TYPE	
88-1	Orifice (0.906 in)
88-2	Orifice (1.457 in)
88-3	Orifice (1.811 in)

BODY & WETTED COMPONENT MATERIAL	
6L	316/316L

1&2	END CONNECTIONS/FINISH	
	Size (Inlet x Outlet)	Finish
A	88-1: 1 1/2" x 2" BPE	A 20Ra IN / 40Ra OUT Mech. Polish
B	88-2: 2" x 3" BPE	B 20Ra IN / 20Ra OUT Mech. Polish
C	88-3: 2" x 3" BPE	C 20Ra IN / 40Ra OUT Electropolish
		D 20Ra IN / 20Ra OUT Electropolish
		E 15Ra IN / 40Ra OUT Electropolish
		F 15Ra IN / 20Ra OUT Electropolish
		G 32Ra IN / 40Ra OUT Mech. Polish
ZZ	Non-Standard	

3&4	TRIM
DD	EPDM Bellows, EPDM O-rings (FDA, USP Class VI)
VV	Viton Bellows, Viton O-Rings (FDA, USP Class VI)
ZZ	Non-Standard

1&2	3&4	5&6	7&8	9&10	11&12
X	X	X	X	X	X

5&6	BONNET
H2	Gas Tight Cap
H4	Gas Tight Lifting Lever

7&8	SETPOINT					
	88-1		88-2		88-3	
	Code	Range	Code	Range	Code	Range
	52	11-15*	04	12-17*	13	14-20*
	53	15-20	05	17-22	14	20-28
	54	20-26	06	22-32	15	28-39
	55	26-33	07	32-38	16	39-53
	56	33-51	08	38-49	17	53-77
	57	51-73	09	49-78	18	77-114
	58	73-123	10	78-123	19	114-150
	59	123-181	11	123-181	20	150-232
	60	181-232	12	181-232		

* Contact Factory for valves with set points below 15 psi

9&10	SSRV SETTING
LL	Liquids

11&12	SPECIAL OPTIONS
SC	Steriflow Premium Cleaning

SSRV (ALL MODELS) SIZING AND SELECTION WORKSHEET:

This document must be completed and included with every RFQ, and Order. All fields must be filled in.

Note: An electronic version is available on the SSRV Product Web Page.

Application Media-Physical Properties:

Compressed Air: (Yes/No)___

Compressed Gas: (Yes/No)___ **Name of Gas:** _____

- **Required Relieving Flow Rate:** ___SCFH, ___LPH

Clean Steam: ___(Yes/No)

- **Required Relieving Flow Rate:** ___Lbs/Hr., ___Kg/Hr

Water:___(Yes/No)

Other Liquid:

Name:_____

Required Relieving Flow Rate: ___GPM, ___LPM

Physical Properties of Other Liquid:

Viscosity: ___cP, ___cSt

Density: ___g/cm³, ___lb/in³

Vapor Pressure:_____ Units:_____

Critical Pressure: _____ Units:_____

Media Temperature:

Minimum ___ °F, ___°C

Maximum ___ °F, ___°C

Set Pressure: ___Psig, ___Barg

Will the valve discharge to Atmospheric pressure? ___ (Yes/No)

If no, what is the pressure in the discharge line? ___ Psig, ___ Barg

Steriflow Premium Cleaning? ___ (Yes/No)

Notes regarding available ASME Certified Models:

81V-6L with 1/2" - 1" Inlet: Certified for LIQUID / AIR / GASES / STEAM

81-6L with 1/2" - 1" Inlet: Certified for LIQUID / AIR / GASES / STEAM

83X-6L with 1" Inlet: Certified for LIQUID / AIR / GASES / STEAM

83-6L with 1 1/2" Inlet: Certified for LIQUID / AIR / GASES / STEAM

88-1-6L with 1 1/2" Inlet: Certified for LIQUID

88-2-6L with 2" Inlet: Certified for LIQUID

88-3-6L with 2" Inlet: Certified for LIQUID

LIFTING KNOB REQUIRED FOR ALL STEAM VALVES AND MEDIA OVER 140°F / 60°C;
MAXIMUM SET PRESSURE ON STEAM IS 90 PSI / 6 BAR



3170 Wasson Road
Cincinnati, OH 45209 USA

www.steriflowvalve.com

513.533.5600 (telephone)

513.871.0105 (fax)

steriflow@richardsind.com (email)

SteriflowValve.com (website)