



3170 Wasson Road • Cincinnati, OH 45209 USA  
Phone 513-533-5600 • Fax 513-871-0105  
E-Mail: steriflow@richardsind.com • www.steriflowvalve.com

# I & M MK9020/9030 Supplement

## *Installation & Maintenance Instructions for Mark 9020 & 9030 Enclosed Extension Stem Option*

### **Please read these instructions carefully!**

Your Steriflow product will provide you with long, trouble-free service if it is correctly installed and maintained. Spending a few minutes now reading these instructions can save hours of trouble and downtime later. When making repairs, use only genuine Steriflow Valve parts, available for immediate shipment from the factory.

---

### **Scope**

---

The extension stem manual is intended to be used in conjunction with the valve manual as a guide to assist customers in the installation and maintenance of the enclosed extension stem option for Steriflow MK 9020 2-Way and MK9030 3-Way Series ball valves.



*Stem extension for  
1/2" – 1-1/2" MK9020*

---

### **Operation**

---

Sizes 1/2" through 1-1/2" MK9020 2-way valves have solid mounting pads, so the bonnet may be pressure containing, and two tale-tale pipe taps are provided to check for leakage of main valve packing. Extension stem packing is a secondary seal and a support bearing for the extension stem.

Sizes 2" through 4" MK9020 2-way valves and sizes 1/2" through 4" MK9030 3-way valves have open mounting pads, so the bonnet is never pressure containing, and the extension stem packing is a support bearing for the extension stem only.

---

### **Installation**

---

1. Remove handle nut (24), handle (19) from valve stem (5). Remove grounding cable (38) from valve

- stem (5) and body bolt (35), and tighten body bolt. Leave lock tab washer (30) in place on valve stem (5). Remove handle stop (33) from top of valve.
2. Place gasket (48) (if used) in groove of bonnet (40), install enclosed extension stem assembly on top of valve, engaging slot in extension stem (41) with flats on valve stem (5). Fasten enclosed extension stem assembly to valve with four bolts (50). Re-install grounding cable (38) between extension stem (41) and bonnet bolt (50). Install handle (19) and handle nut (24) on extension stem, and handle stop (33) on top of bonnet (40).

---

### **Disassembly**

---

Remove enclosed extension stem from top of valve. Remove handle nut (24) and handle (19) from extension stem (41). Remove gland nut (54), grounding cable (38), lock tab washer (53), and Belleville washers (52) from extension stem (41). Push extension stem (41) down through top of bonnet (40), and remove from bottom of bonnet. Remove thrust washer (45) from shoulder of extension stem (41), or from inside of bonnet (40). Remove gland (51), thrust washer (47), and packing (46) from top of bonnet (40).

---

### **Maintenance**

---

1. The only maintenance that is normally required is to replace gasket (48) (if used), thrust washer (45), packing (46), and thrust washer (47).
2. Inspect grounding cable (38) for broken wires at terminals, and replace is necessary.
3. Sizes 1/2" through 1-1/2" MK9020 2-way valves have solid mounting pads, so the bonnet may be pressure containing, and two tale-tale pipe taps are provided to check for leakage of main valve packing. Extension stem packing is a secondary seal and a support bearing for the extension stem.
4. Sizes 2" through 4" MK9020 2-way valves and sizes 1/2" through 4" MK9030 3-way valves have open mounting pads, so the bonnet is never pressure containing, and the extension stem packing is a support bearing for the extension stem only.

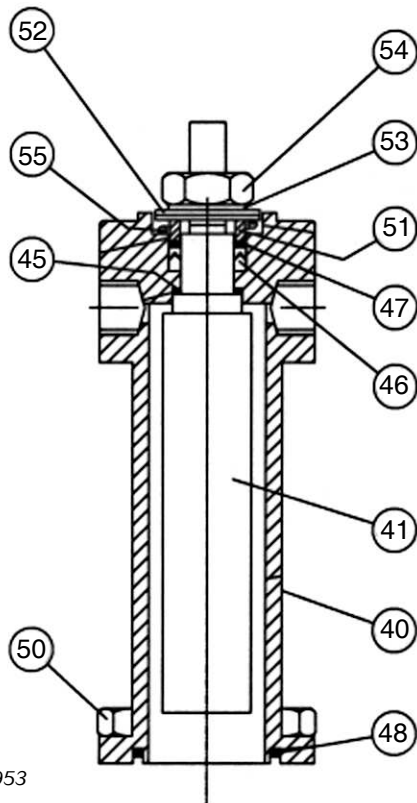
---

### **Re-Assembly**

---

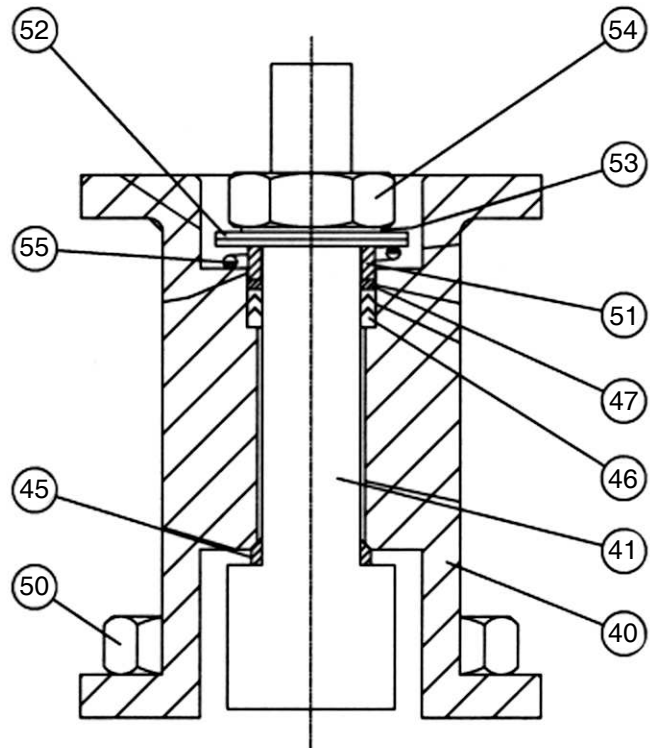
Reassemble extension stem in reverse order of disassembly, and remount on valves as described in "Installation."

## Re-Assembly



ART0953

Stem Extension for  
1/2" – 1-1/2" MK9020



Stem Extension for  
2" – 4" MK9020 and  
1/2" – 4" MK9030

**Notes:**

1. Handle parts from valve.
2. Handle length and actuator mounting dimensions same as top of valve.
3. Add stem extension height "D" above to valve heights for heights of valve with stem extension.

Item No.	Part	Quantity
40	Bonnet	1
41	Stem, Extension	1
45	Thrust Washer, Ext. Stem	1
46	Packing, Ext. Stem	1 Set
47	Thrust Washer, Ext. Stem Packing	1
48	Seal, Bonnet (1/2" – 1-1/2" 2 way)	1
50	Bolt, Bonnet	4
51	Gland, Ext. Stem Packing	1
52	Belleville Washer, Ext. Stem	2
53	Tab Lock Washer, Ext. Stem	1
54	Nut, Ext. Stem Gland	1
55	Ant-Static Spring, Ext. Stem	1