



3170 Wasson Road • Cincinnati, OH 45209 USA
 Phone 513-533-5600 • Fax 513-871-0105
 E-Mail: steriflow@richardsind.com • www.steriflowvalve.com

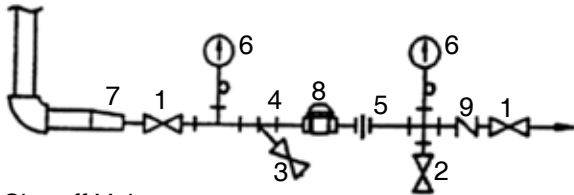
I & M CSDT Series

Installation & Maintenance Instructions for CSDT Series Clean Steam Disc Traps

Please read these instructions carefully!

Your Steriflow product will provide you with long, trouble-free service if it is correctly installed and maintained. Spending a few minutes now reading these instructions can save hours of trouble and downtime later. When making repairs, use only genuine Steriflow Valve parts, available for immediate shipment from the factory.

Ideal Installation Schematic

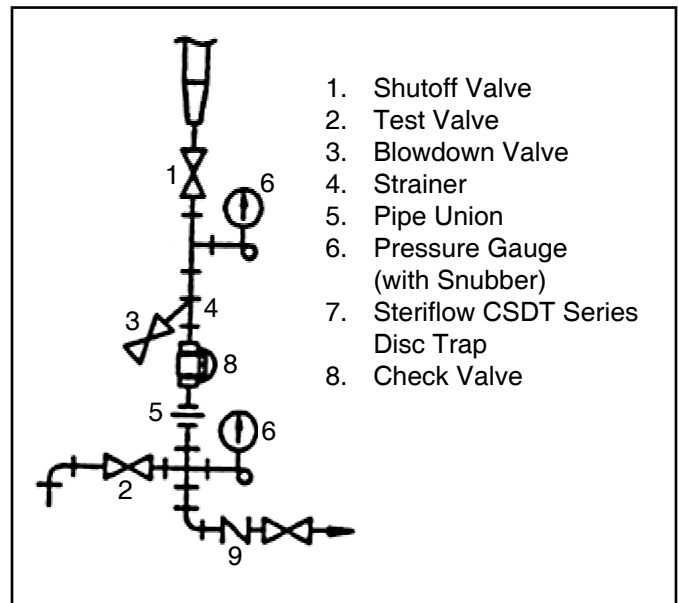


1. Shutoff Valve
2. Test Valve
3. Blowdown Valve
4. Strainer
5. Pipe Union
6. Pressure Gauge (with Snubber)
7. Pipe Eccentric Reducer (if required)
8. Steriflow CSDT Series Disc Trap
9. Check Valve

Installation

1. Check that steam supply is shut off. Ensure that all system pressures are off and trap is cool before opening.
2. Remove steam trap from piping by disconnecting the inlet and outlet Tri-Clamp® and slipping the trap from the line.
3. The trap may be installed horizontally or vertically with discharge downward. The preferred installation is in the horizontal position as close as possible to the equipment being drained. Whenever possible, position the trap below the unit being drained.
4. Piping should be the same size as the trap connection. To avoid excessive backpressure, discharge piping should not be smaller on short runs. For longer lines, use one size larger.

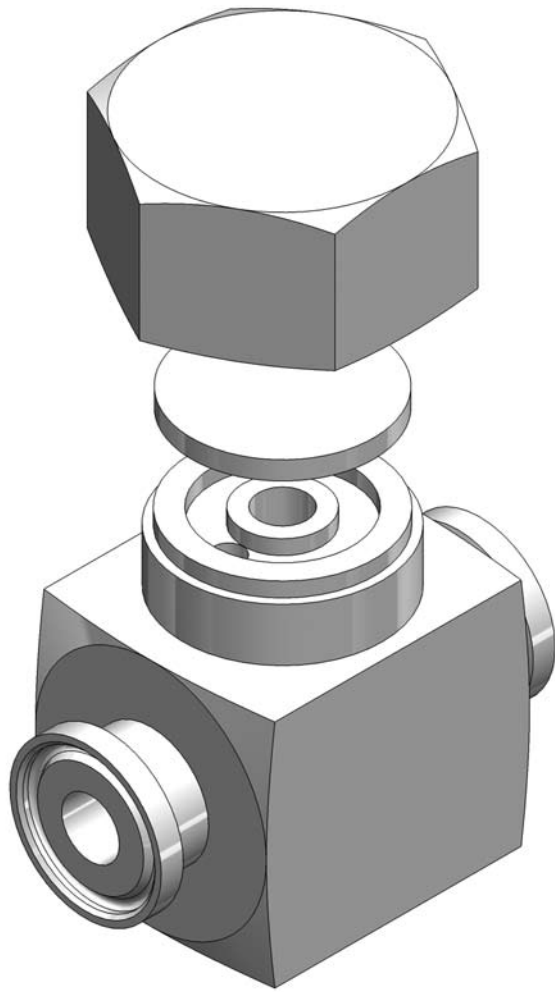
5. A full-ported shut-off valve upstream is recommended to allow isolation for servicing. A shutoff valve downstream will protect against back flow from the return line during servicing.
6. A strainer should be installed with a blowdown valve immediately upstream of the trap to protect it from grit, scale and other foreign matter.
7. A test valve outlet and pressure gauges should be provided to check trap operation where condensate discharge is piped to a return line.



1. Shutoff Valve
2. Test Valve
3. Blowdown Valve
4. Strainer
5. Pipe Union
6. Pressure Gauge (with Snubber)
7. Steriflow CSDT Series Disc Trap
8. Check Valve

8. For freeze protection, the trap should be installed vertically with discharge downward, as shown above. Discharge as close to drain connection as practical and discharge to atmosphere directly through a short pipe. A vacuum breaker upstream may be required to provide complete drainage.

CSDT Series Disc Trap



Maintenance

Warning!

Hot discharge from the trap may cause severe burns. Shut off steam supply and make sure that the trap is cool to touch before repairing or inspecting.

1. The trap can be maintained without disturbing the piping connections. Ensure that the trap is isolated - upstream and downstream - before attempting to dismantle it. **ALLOW THE TRAP TO COOL BEFORE DISMANTLING.**
2. The Steriflow disc trap can be cleaned or repaired by removing the disc and leaving the body in the pipe line.
3. Before loosening the cap, the trap must be isolated from both, live steam lines and condensate return lines. Open the blowdown valve to relieve trapped pressure and allow time for the trap to cool.
4. Remove the cap and disc.
5. Dirt and deposits can cause erratic operation. Disc can be removed from inspection and sealing surfaces can be wiped with a cleaning solvent. Periodic cleaning of the disc and seat will facilitate trouble-free performance. **DO NOT USE ABRASIVES / CORROSIVE MEDIA FOR CLEANING.**
6. If surface is scratched or worn, replace with a new factory-lapped disc. Only the disc and seat are subject to wear. A worn disc can be replaced and slight seat wear can be corrected by resurfacing a lap plate.
7. Lubricate the cap threads sparingly with anti-seize compound, taking care not to apply to disc or seat surfaces.
8. Tighten cap until firmly seated, approximately 80 - 85 ft-lbs. **DO NOT OVER-TIGHTEN.**